

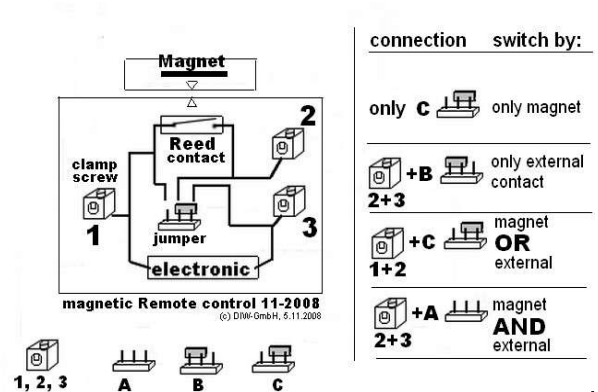
Function:

With this magnetic remote sensor you can switch with a magnet without contact and automatically all receivers with the same code. The magnetic sensor sends optionally OF or ON when the magnet is moved to the unit or if it gets removed.

Optionally you can connect an external mechanical switch (normally open contact) at the clamp screws 1+2 or 2+3 to send the signal ON/OFF by switching without using the magnet.

Optionally you can set the jumper like the figure shows in order to switch with magnet and external switch in AND or OR-version, AND means, that the remote sends ON/OFF only if magnet and switch are closed.

OR means, that the remote sends ON/OFF if magnet or switch is closed.



Attention:

Select ON/OFF or OF/ON setting before installing.

The sending time is only short (less than 2 seconds) even if the magnet is nearby or an external switch stays closed.

Encoding:

Program the internal jumpers at the same as the receiver.

Frequency...: 433,92 Mhz

Battery.....: 1x CR2032 (included)