

important safety instructions - devices



1. General information

Electrical devices, packaging material, batteries, etc. are not toys and do not belong within the reach of children. Packaging and wearing materials must be disposed of in an environmentally friendly manner.

2. Important safety instructions:

- Ⓢ Read the operating instructions carefully and keep them. Only pass the product on to other people together with the operating instructions.
- Ⓢ If you do not observe the safety instructions and information in these operating instructions, we are not liable for any injuries or property damage that may result. In addition, the warranty/guarantee expires in such cases.
- Ⓢ The product is not a toy. Keep the device, accessories and packaging away from children.
- Ⓢ Handle the product with care. It can be damaged by bumps, hits or falling from a small height.
- Ⓢ Download the current operating instructions from www.diw-gmbh.de/diw-punkt/DP_download.html
- Ⓢ Contact with moisture must be avoided at all costs. Protect the product from extreme temperatures, direct sunlight, strong shocks, high humidity, moisture, vapors and solvents.
- Ⓢ For safety and regulatory reasons, you may not convert and/or modify the product. If you use the product for purposes other than those described above, the product may be damaged. In addition, improper use can cause hazards such as short circuits, fire, etc.
- Ⓢ If safe operation is no longer possible, take the product out of service and protect it from unintentional use. Safe operation can no longer be guaranteed if the product shows visible damage, no longer works properly, has been exposed to unfavorable environmental conditions or has been subjected to transport loads.
- Ⓢ Do not use this product in hospitals or medical facilities. Although the transmitter of the radio remote control only emits relatively weak radio signals, these can also lead to malfunctions in life-support systems. The same may apply in other areas. The maximum transmission power is <10 dBm

Ⓢ Handling batteries:

- Ⓢ Remove the battery if you don't use the device for a long time to avoid damage caused by leakage. They can cause acid burns on skin contact.
- Ⓢ Do not leave batteries lying around, they could be swallowed by children or pets.

Ⓢ **Do not ingest the battery!** Risk of burns from hazardous substances. A product may contain a button cell or battery. If a button cell/battery is swallowed, severe internal burns can occur in as little as 2 hours and can result in death.

- Ⓢ => **Keep new and used batteries away from children!** If you think batteries have been swallowed or are in any part of the body, seek medical help immediately.
- Ⓢ If the battery compartment does not close securely, stop using the product and keep it away from children and pets.
- Ⓢ Do not disassemble, short-circuit, or throw batteries into fire. Never attempt to charge non-rechargeable batteries. There is a risk of explosion

Ⓢ **The rules of electrical engineering must be observed in any case.**

3. Battery law, dangers & safety, information on environmental protection

At the end of its useful life, this product must not be disposed of with normal household waste, but must be taken to a collection point for the recycling of electrical and electronic equipment. This is indicated by the crossed-out wheeled bin symbol on the product, instructions for use or packaging.

Batteriegelgesetz: Some devices come with batteries that are used to operate the devices. These can be permanently installed in the devices. We are obliged to inform our customers of the battery ordinance in connection with the sale of batteries:

Please dispose of all batteries as required by law, disposal in household waste is expressly prohibited. You can hand in the batteries and rechargeable batteries at municipal collection points or in local shops free of charge. Batteries purchased from us can also be returned to the following address after use with proof of purchase. Please post sufficiently: DIW-GmbH, Balanstr. 89 b, 81539 Munich. We replace the letter postage. Batteries that contain harmful substances are marked with the symbol of a crossed-out garbage can, the symbols are the chemical names of the harmful substances contained. "Cd" stands for cadmium, "Pb" for lead, "Hg" for mercury, "Li" for lithium, "Ni" for nickel, "Mh" for metal hydride and "Zn" for zinc. The materials are recyclable according to their labeling. By reusing, material recycling or other forms of recycling old devices, you are making an important contribution to protecting our environment. Please ask the municipal administration for the responsible disposal point.

4. Guarantee, guarantee: Legal regulations apply. There is no warranty claim for damage caused by non-observance of the operating instructions (short form and online instructions). Liability or further claims, in particular claims for compensation for personal injury or damage to property caused by non-functioning or faulty functions, are excluded.

Current and detailed information on the Internet:

▶▶ https://www.diw-gmbh.de/FAQ_index.html ◀◀

DIW-GmbH hereby declares that the „**DIW-Funk**“ Wireless motion detector DIW-44 (RSW882T) are in compliance with the essential requirements and other relevant provisions of Directive 2014/53/EU. Declarations of Conformity online at: https://www.diw-gmbh.de/DIW-Punkt/DP_Download.html

Errors, design changes and technical data are subject to change without prior notice in the interests of constant product improvement (06-2022). Made in China.



Importer:
DIW Dipl.-Ing. Weber office equipment GmbH,
Balanstrasse 89b, DE-81539 Munich.
WEEE-Reg.-Nr.: DE47592106 | LUCID-Reg-Nr.: DE4746603811223

Description of the devices, compatibility lists, FAQs and certificates can be found on the manufacturer's website



▶ <https://www.diw-gmbh.de/DIW-Funk> ◀

Instructions for the DIW-44 motion detector

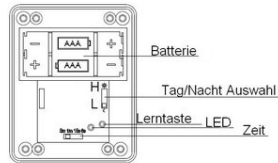
DIW-44 motion detector for inside and outside (IP-54)

With the DIW-44 you can control your "DIW-Funk" sockets or built-in switches via the wireless DIW-44 PIR sensor. When motion is detected (heat difference), the motion detector switches the desired device on for 6 seconds to 5 minutes and then switches off automatically. This is ideal for controlling outdoor lighting, stairwell lighting and domestic lighting for extra security, for example. The set switching time starts again when the motion detector detects a movement.

General information

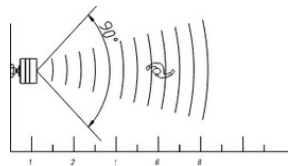
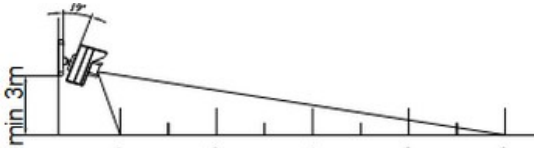
The DIW-44 offers the following features:

- Selectable timer setting
- Adjustable light setting
- IP54 weather resistant
- up to 30 meters (open area)
- Battery operated 2*AAA
- Frequency: 433.92MHz

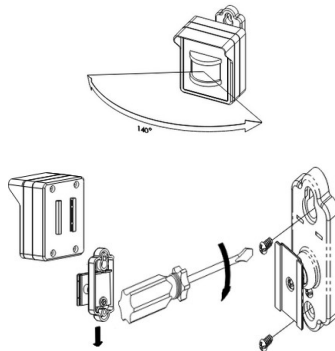


Installation

1. First select the desired location. It is recommended that the DIW-44 be installed approximately 3 meters off the ground (ideally under the eaves of the building) and away from direct sun or heat sources. Detection range max. 8 meters



2. Remove the DIW-44 from the base. Mark and drill the appropriate holes. Fasten the bracket with the appropriate screws and anchors (included).



Transmission of the code to a suitable radio receiver of the "DIW radio" series

Step 1: Set the transmitter day/night slide switch to the **Position L** and set the other slide switch (time) to the **Position 6SEC**.

Step 2: Press and hold the receiver's button for 3 seconds or turn it on (refer to the receiver's manual) until the receiver LED starts blinking.

Step 3: Briefly press the "Learning" button on the DIW-44 until the LED flashes. The LED stops flashing and the learning process is complete.

Note: After the learning process is complete, turn the transmitter's slide switch to the H position.

Erasing the code

Step 1: Set the transmitter's day/night slide switch to the L position and set the time slide switch to the 6SEC position.

Step 2: Press and hold the receiver's button for 3 seconds or turn it on (refer to the receiver's manual) until the receiver LED starts blinking.

Step 3: Press the DIW-44's learn button for more than 3 seconds. The LED of the DIW-44 blinks a few times and then stops blinking. Then the deletion process is finished.

Setting the timer

The DIW-44 turns on the receiver for a predefined amount of time; this can be set between 6 seconds and 5 minutes. To select the length of time, remove the cover and slide the switch to the desired timer setting (5 min, 1 min, 15 sec, 6 sec).

Day (H) /Night (L) setting

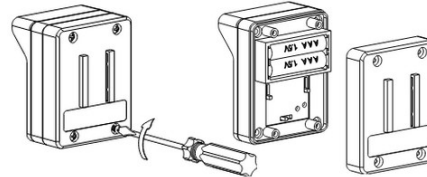
To change the light setting, detach the front cover and use the slide switch to choose the twilight setting in increments.

Day (H): The DIW-44 is on for 24 hours, whether it's light or dark.

Night (L): The DIW-44 only monitors at dusk and at night.

Replacing the batteries

1. Use a screwdriver to loosen the battery cover on the back of the DIW-44.
2. Take out the batteries and replace them with 2 new AAA batteries, paying attention to the "+" and "-". Observe the safety instructions for the batteries.
3. Replace the battery cover and squeeze the case firmly.



© DIW Dipl.-Ing. Weber Office Equipment Ltd. All rights reserved. Reproduction, even in part, is prohibited. Reproductions of any kind require the written permission of the publisher.